



MODEL:

WRCT-500SD



CATER TAP

manufactured by **MECHLINE**

Deck mounted 1/2-inch Dome head sink taps

Manufacturer: Mechline Developments Limited.

Brand: CaterTap.

Tap type: Sink tap.

Mount: Deck mounted.

Hole: Single hole.

Water Feed: Single.

Control(s): Dome head.

Accreditation: WRAS.

FEATURES & BENEFITS

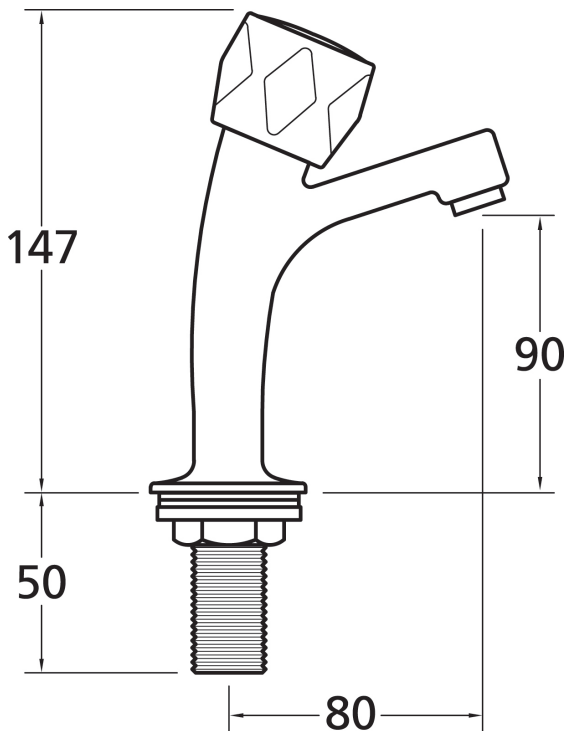
- WRAS approved.
- High-grade chrome-finished.
- Low maintenance and long lasting.
- Manufactured to British Standards.
- Robust commercial tap.
- Backed by Mechline's standard 1 year warranty.

TECHNICAL INFORMATION

Connection(s): 1/2-inch.

Worktop hole: 25mm.

Recommended static water pressure range: 1-5 bar.



MAINTENANCE & CLEANING

Cleaning chrome: Do not use abrasive, chlorine or acid-based cleaning products. Avoid contact with concentrated bleach. Clean with soapy water using a cloth or sponge.

Dimensions are in millimeters. If a CAD file is required please visit www.mechline.com.



MECHLINE

MECHLINE DEVELOPMENTS LIMITED

Tel: +44 (0)1908 261511 | Email: info@mechline.com | Web: www.mechline.com